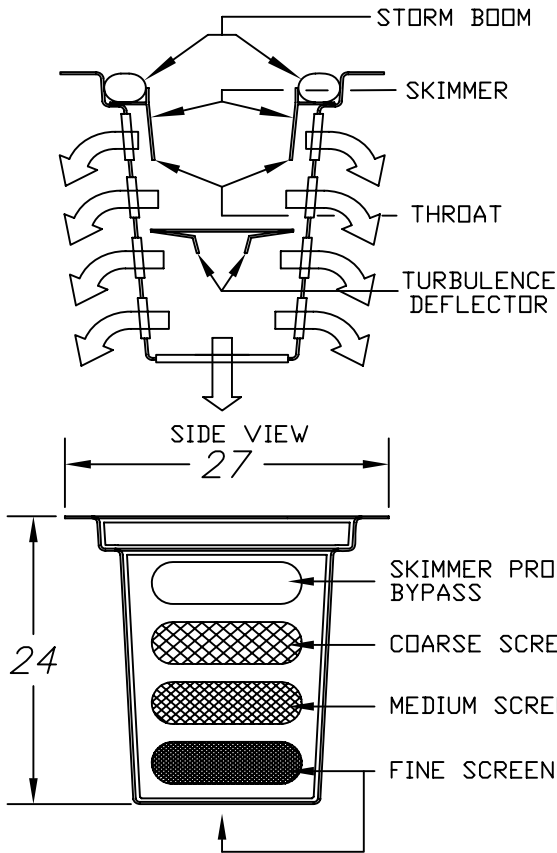


FLOW SCHEMATIC



BOX MANUFACTURED FROM
MARINE GRADE FIBERGLASS & GEL
COATED FOR UV PROTECTION

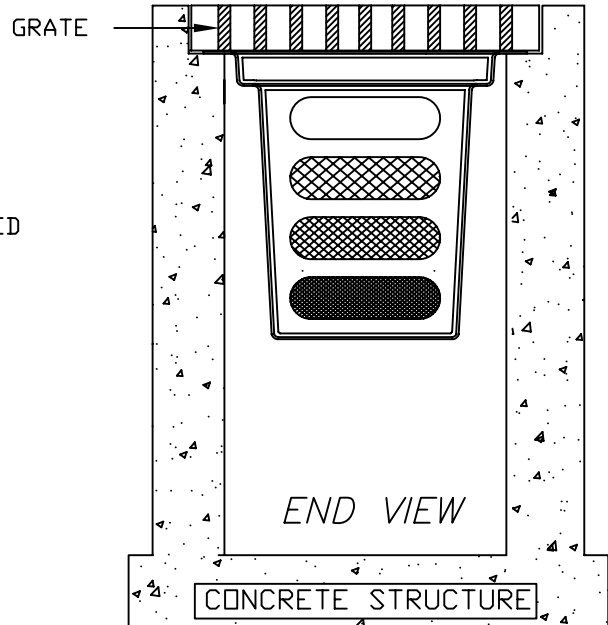
5 YEAR MANUFACTURERS WARRANTY

PATENTED

ALL FILTER SCREENS ARE STAINLESS STEEL

Flow Specifications

Description of filter opening	Percent Open <i>Based on Screen Dimensions</i>	Total Square Inches per Unit	Square Inches of Total Unobstructed Openings	Flow Rate (Cubic Feet per Second)
Skimmer protected By-Pass	100%	164.5	164.5	6.8cfs
Coarse Screen 3/4" x 1-3/4" stainless steel flattened expanded	62%	145.5	90.2	4.9cfs
Medium Screen 10x10 mesh stainless steel	56%	145.5	81.5	4.9 cfs
Fine screen 14 x 16 mesh stainless steel	68%	158.2	107.5	6.4 cfs
MAXIMUM THROAT FLOW RATE Total: 4.4 cfs		SCREEN TREATED FLOW RATE Total: 14.9 cfs		
FLOW RATES BASED ON UNOBSTRUCTED SCREEN OPENINGS				



GRATE INLET SKIMMER BOX FOR
INLET STRUCTURES.

Part # GISB-27-27-24

All Dimensions are in inches, unless otherwise noted.

Scale: NTS

Suntree Technologies Inc.

798 Clearlake Road
Cocoa, Florida 32922

PH: 321-637-7552
Fax: 321-637-7554